

item	type	K 33	K 34
port size		G 1/2	G 3/4
description		3/2-path-valve, shut off for downstream air	
mounting		arbitrary	
supply pressure		Pe max. 16 bar	
media and ambient			
temperature		max. 60°C	
nominal discharge		Qn 11000 l/min (Pe = 6 bar, delta P = 1 bar)	
manipulation		toggle 90° rotation	
fixing		2 holes in the body or bracket	
weight		0,813 kg (0,940 kg with lock device)	

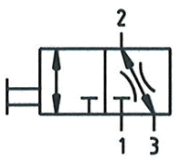


replacement parts

no	description	material	order-no.
1	body	zinc - Z 410	---
2	globe-stopcock	Ms	---
3	jaw	PTFE	---

application information

- easy block assembly for components to be connected in series
- interlocking of several individual devices requires coupling kit(s) KP 33
- interlocking of several individual devices with narrow distributor Z 33 requires coupling kit(s) KP 33 Z
- rebuilding to a 2/2-path-valve: close the pressure release hole "R"
- lockable by padlock (high of shackle 30 mm)



series 3

ordering information

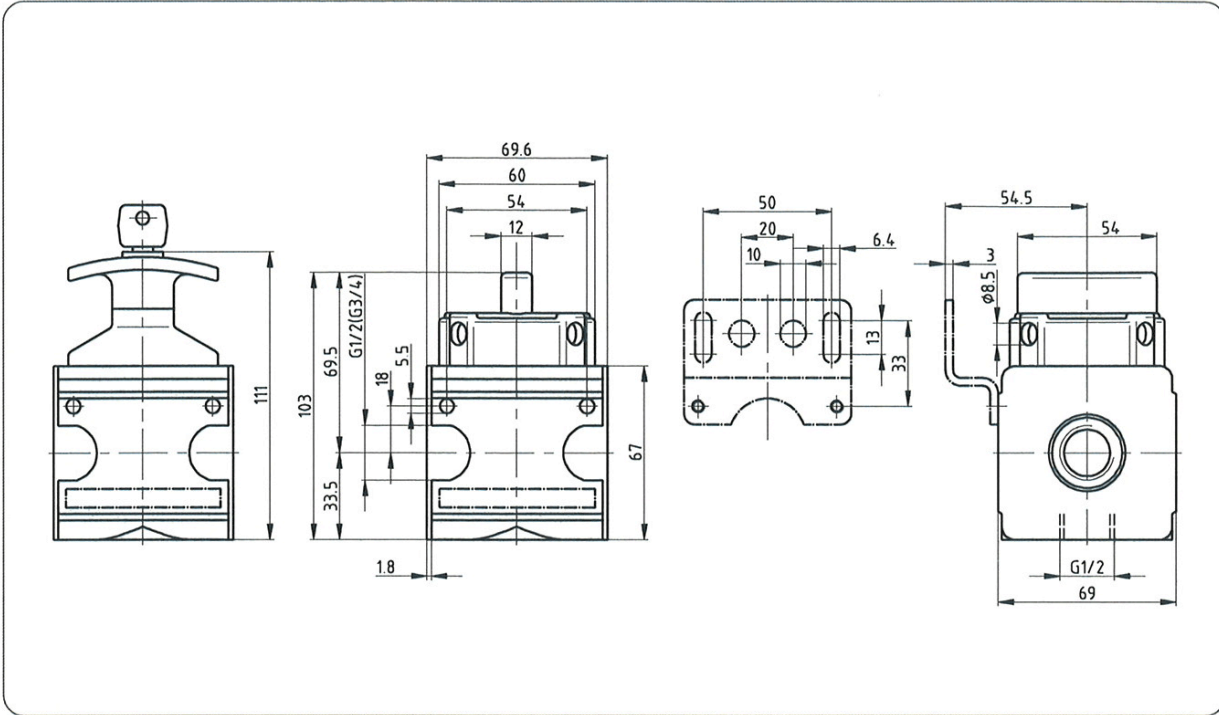
K. **

type

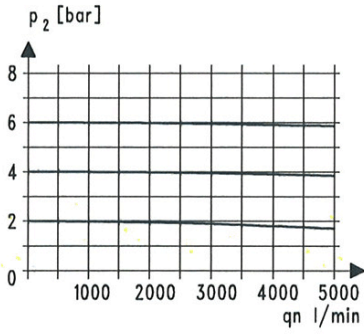
port size option

ordering example: K 33 K

1	33	G 1/2
	34	G 3/4
2	options	

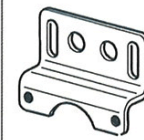


flow characteristics



accessories

mounting bracket



type: ZW 33